

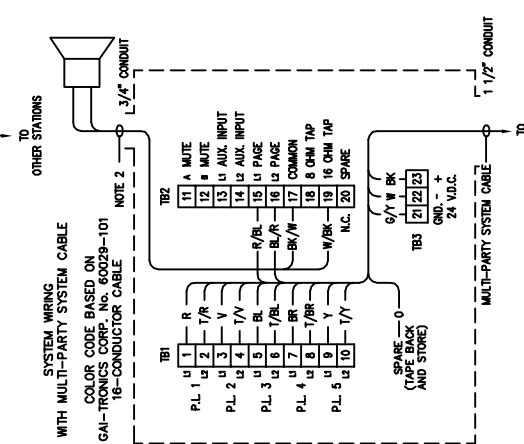
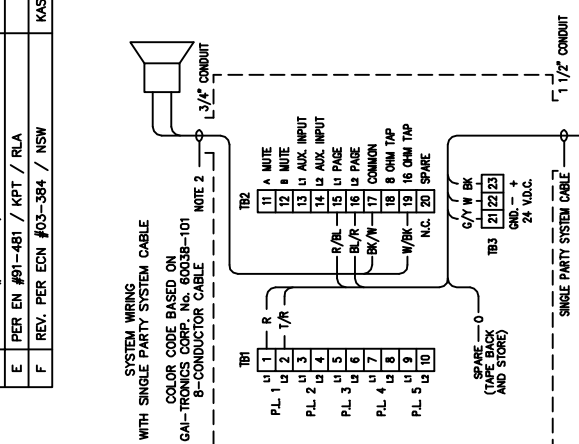
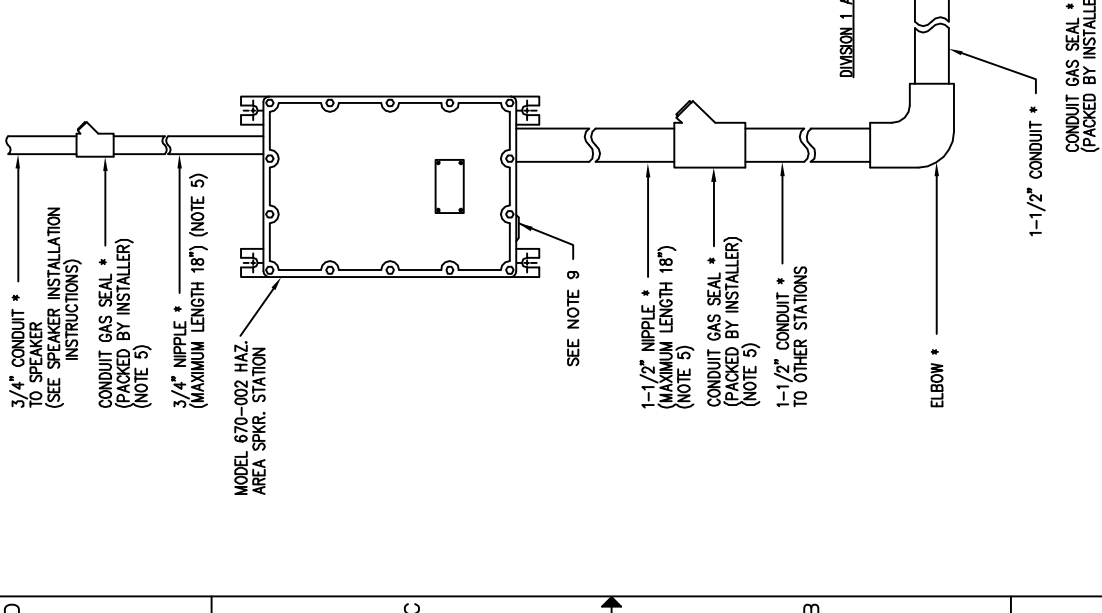
REV.	DESCRIPTION	ENGR.	APVD.	DATE
D	PER EN #96-319 / SMM	AS		9/4/86
E	PER EN #91-481 / KPT / RLA	BBP		10/8/91
F	REV. PER EDN #03-384 / NSW	KAS	JUP	2/3/04

REVISION	

THIS DOCUMENT AND ITS CONTENTS ARE THE PROPERTY OF GAI-TRONICS CORPORATION (GTC), AND SHALL NOT BE REPRODUCED, COPIED, OR TRANSMITTED IN ANY FORM OR BY ANY MEANS, WITHOUT THE EXPRESS PRIOR WRITTEN CONSENT OF GTC. DISCLOSE, DIRECTLY OR INDIRECTLY, IN WHOLE OR IN PART, THE DOCUMENT/CONTENTS TO ANY PERSON OR ENTITY, AND SHALL NOT USE, IN WHOLE OR IN PART, THE DOCUMENT/CONTENTS, EXCEPT STRICTLY AS AUTHORIZED BY GTC.

NOTES:

- WHERE STATION IS ADEQUATELY GROUNDED LOCALLY, SYSTEM MAY BE WIRED WITH 14-CONDUCTOR CABLE (WITHOUT GREEN & ORANGE CONDUCTORS). No. 60024-201
- COLOR CODE OF SPEAKER CABLE BASED ON GAI-TRONICS CORP. No. 60021-301 2-CONDUCTOR CABLE (TWISTED PAIR #8 AWG). CONNECTION SHOWN FOR 16 OHM SPEAKER. MOVE W/BK WIRE FROM TERMINAL #19 TO TERMINAL #18 FOR 8 OHM SPEAKER.
- THE NOTATION COLOR #1 / COLOR #2 (e.g. R/BL) DENOTES BASIC WIRE COLOR #1 WITH COLOR #2 STRIPE.
- SUGGESTED MOUNTING HEIGHT OF STATION (FROM CENTERLINE OF STATION TO FLOOR): 54 INCHES (1400 mm).
- EXTERNAL CONDUITS IN CLASS I; DIV. 1; GROUPS C & D AREAS TO HAVE GAS SEALS NOT MORE THAN 18 INCHES (457 mm) FROM STATION. EXTERNAL CONDUITS IN CLASS II AND CLASS III AREAS TO HAVE SEALS IF CONDUIT SYSTEM IS NOT DUST-TIGHT.
- COMPONENTS USED TO FORM THIS STATION MAY BE REARRANGED BY INSTALLER FOR TOP ENTRY OF SYSTEM CONDUIT BY FOLLOWING THESE INSTRUCTIONS:
 - MOUNT REAR PART OF HOUSING INVERTED.
 - INVERT P.C.B. SUB-ASSEMBLY INSIDE REAR HOUSING TO RETURN IT TO PROPER ORIENTATION.
 - REPLACE FRONT COVER IN PROPER ORIENTATION.
- THE No. 670-002 STATION SHOWN ON THIS DRAWING IS NRTL CERTIFIED FOR USE IN US AND CANADA FOR THE FOLLOWING HAZARDOUS AREA LOCATION:
 - CLASS I; DIV. 1; GROUPS C & D
 - CLASS II; DIV. 1; GROUPS E, F & G
 - CLASS III; DIV. 1
 APPROVAL IS BASED ON INSTALLATION WITHOUT UNAUTHORIZED EQUIPMENT MODIFICATION AND IN ACCORDANCE WITH THIS DRAWING AND APPLICABLE NATIONAL ELECTRICAL CODE REQUIREMENTS.
- CHANGES TO THIS DRAWING REQUIRE PRIOR NRTL APPROVAL.
- STANDARD HOLE SIZE: 1 1/2" - 11 1/2 NPT
- OPTIONAL HOLE SIZE: 2" - 11 1/2 NPT



*** INSTALLATION ACCESSORIES NOT SUPPLIED BY GAI-TRONICS CORP. BUT MUST MEET NATIONAL ELECTRIC CODE REQUIREMENTS. SMALLER CONDUIT SIZES MAY BE USED WITH REDUCERS IF WITHIN N.E.C. REQUIREMENTS.**

PUB. 42004-183A
INSTALLATION DRAWING

UNLESS OTHERWISE SPECIFIED, DIMENSIONS ARE IN INCHES AND DECIMALS THEREOF ARE TO BE ± 1/64". ANGLES ARE TO BE ± .002".	JOB DWG. No.	CONTRACT No.
MATERIAL	APPROVALS	DATE
FINISH	DRAWN	SPG 2/14/83
DO NOT SCALE DWG.	ENGR.	PMR 3/11/83
APVD.	RER	3/11/83

NO. 670-002
DIV. 1 HAZ AREA SPKR. STA. 24 VDC
INSTALLATION DRAWING

SIZE	FSCM No.	DWG No.	REV.
C	C	70766	F

SHEET 1 OF 1